

Line Scan Camera

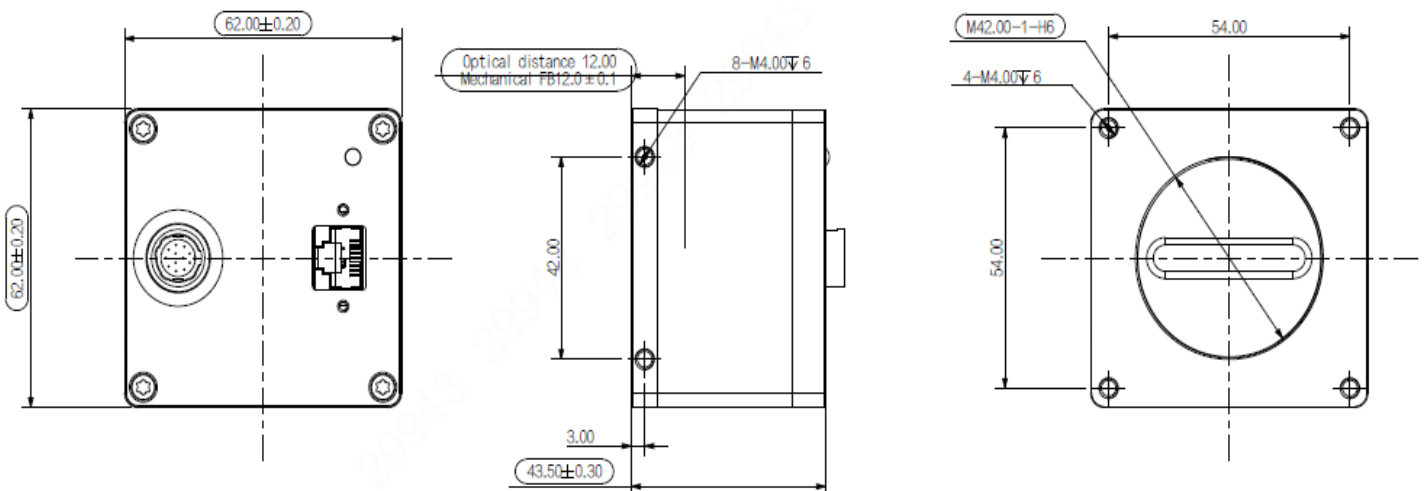
L5047MG140E

Product Features

- Support brightness enhancement, gamma correction, LUT and other ISP functions;
- Support PRNU correction in target bright field;
- Support various image formats of output data;
- Support DC12~24V wide-range power supply;
- Conform to CE, FCC, UL, RoHS certifications;



Dimensions (mm)



Technical Specifications

Model Name	L5047MG140E
Sensor	4K
Sensor Type	CMOS
Resolution	4096 x 1
Line Rate	28K
Bit Depth	12
Mono/Color	Mono
Pixel Size	7 x 7
S/N Ratio	>39dB
WDR	66dB
Image Format	Mono8/10/12/10Packed/12Packed
ROI	Support
X-axis Flip	Support
Gain	1~32
Gamma	From 0 ~ 4, support LUT
Exposure Time	8 μ S~100mS
Sync Mode	Software Trigger/Hardware Trigger/Free Run Mode
FPN	Support
User Setting	Support two sets of user-defined configurations
Cache	64MB image cache, 64MB data cache
Port	GigE
GPIO	3 differential input, 1 differential output, 1 high-speed optocoupler single-end input and 1 GPIO
Lens Mount	M42 x 1
Power Supply	DC12~24V power supply via 12-pin Hirose connector
Power Consumption	\approx 4.5W
Product Dimensions	62mm*62mm*43.5mm(Not including rear case connector)
Weight	245g
Working Environment	Storage: - 30°C~+80°C; Operation: - 30°C~+50°C

© 2021 IRAYPLE. All rights reserved. Design and specifications are subject to change without notice.
Pictures in the document are for reference only, and the actual product shall prevail.